



Visit our homepage  
for additional support  
[parker.com/pmde](http://parker.com/pmde)

Bulletin MSG30-5513-M1/UK

## Spare Parts Series F12

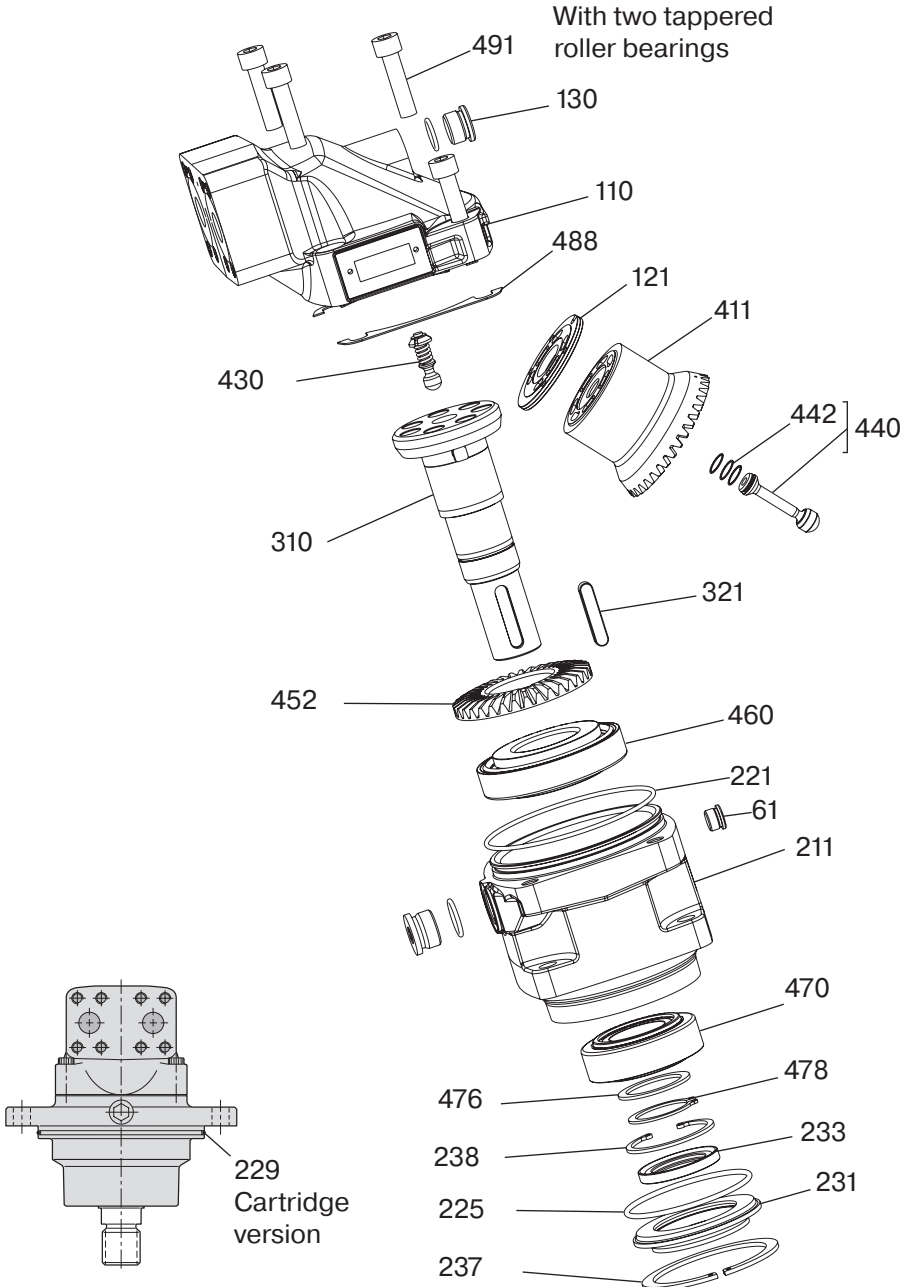
---

Effective: March, 2022

Supersedes: February, 2022



ENGINEERING YOUR SUCCESS.



**F12-030 all types from serial no. 201809300001 and up.**

Pos	Part No	Description	Qty	Remarks
<b>Housing parts</b>				
61		Hex Socket Plug M12*1	1	VSTI12X1EDVITCF
110	3721864	Barrel Housing Assy Type F	1	
110	3721863	Barrel Housing Assy Type S	1	
130		Hex Socket Plug for S housing	1	8 HP50N-S
130		Hex Socket Plug for F housing	1	VSTI18X1,5EDVITCF
211	3784481	Bearing Housing Type C	1	Require item 61
211	3788317	Bearing Housing Type I	1	Require item 61
211	3788323	Bearing Housing Type S	1	Require item 61
211	3788320	Bearing Housing Type T	1	Require item 61
231	3797194	Seal Carrier	1	
<b>Rotating parts</b>				
310	3799648	Shaft type C	1	
310	3799638	Shaft type D	1	
310	3799632	Shaft type K	1	Require flat key
310	3799644	Shaft type P	1	Require flat key
310	3799634	Shaft type S	1	
310	3799640	Shaft type T	1	Require flat key
321	3724437*	Flat Key for K and P shaft	1	
321	3724449*	Flat Key for T shaft	1	
430	3724477**	Barrel Support	1	
452	3791927	Ring Gear	1	

**Seal kit contain:**

O-rings pos: 221, 225, 229

Shaft seal pos: 233

Retaining rings pos: 237, 238

**Repair spare part kit contain:**

Valve plate pos: 121

Cylinder Barrel pos: 411

Pistons pos: 440 (7 pcs)

Hex Screws pos: 491 (4 pcs)

**Bearing spare part kit contain:**

Tap Rol Bearing pos: 460, 470

Spacer pos: 476

Retaining rings pos: 478

**Shim kit contain:**

Shims pos: 488

(1 pcs on each side)

**For other parts please contact Parker Hannifin****Seal kits**

3793493	Sealing kit type V FPM
3785132	Sealing kit type N NBR
3784552	Sealing kit type S PTFE
3720898	Sealing kit type S SuperCut 100

**Repair Spare part Kit**

3721446	Type M (Motor)
3722010	Type S (High speed Motor)
3723977	Type L (CCW pump)
3723978	Type R (CW pump)

**Bearing spare part kit**

3723971	Bearing kit
---------	-------------

**Shim kit**

3721330	Shims kit
---------	-----------

\*Kit contain 100 pcs, \*\*Kit contain 20 pcs

**F12-040 all types from serial no. 1998020001 and up.**

Pos	Part No	Description	Qty	Remarks
<b>Housing parts</b>				
61		Hex Socket Plug M12*1	1	VSTI12X1EDVITCF
110	3798203	Barrel Housing Assy Type F	1	
110	3798204	Barrel Housing Assy Type S	1	
130		Hex Socket Plug for S housing	1	8 HP50N-S
130		Hex Socket Plug for F housing	1	VSTI18X1,5EDVITCF
211	3780330	Bearing Housing Type C	1	Require item 61
211	3799967	Bearing Housing Type I	1	Require item 61
211	3780130	Bearing Housing Type S	1	Require item 61
231	3796201	Seal Carrier	1	
<b>Rotating parts</b>				
310	3799455	Shaft type C	1	
310	3799457	Shaft type D	1	
310	3799451	Shaft type K	1	Require flat key
310	3799453	Shaft type S	1	
310	3799459	Shaft type T	1	Require flat key
321	3724451*	Flat Key for K shaft	1	
321	3724438*	Flat Key for T shaft	1	
430	3724474***	Barrel Support	1	
452	3791589	Ring Gear	1	

**Seal kit contain:**

O-rings pos: 221, 225, 229

Shaft seal pos: 233

Retaining rings pos: 237, 238

**For other parts please contact Parker Hannifin****Seal kits**

3793495\*\* Sealing kit type V FPM

3785133\*\* Sealing kit type N NBR

**Repair Spare part Kit**

3787798 Type M (Motor)

3723979 Type L (CCW pump)

3723980 Type R (CW pump)

**Bearing spare part kit**

3723972 Bearing kit

**Shim kit**

3721331 Shims kit

**Repair spare part kit contain:**

Valve plate pos: 121

Cylinder Barrel pos: 411

Pistons pos: 440 (7 pcs)

Hex Screws pos: 491 (4 pcs)

**Bearing spare part kit contain:**

Tap Rol Bearing pos: 460, 470

Spacer pos: 476

Retaining rings pos: 478

**Shim kit contain:**

Shims pos: 488

(1 pcs on each side)

\*Kit contain 100 pcs, \*\*\*Kit contain 20 pcs

\*\* The kit contain 1 pcs O-ring for F12-60

**F12-060 all types from serial no. 1998020001 up to 202011010001.  
(for serial no between 202011010001-202101010001, please contact  
Parker)**

Pos	Part No	Description	Qty	Remarks
<b>Housing parts</b>				
61		Hex Socket Plug M12*1	1	VST112X1EDVITCF
110		Barrel Housing Assy	1	Not available
130		Hex Socket Plug	1	See next side
211	3780331	Bearing Housing Type C	1	Require item 61
211	3780127	Bearing Housing Type I	1	Require item 61
211	3780124	Bearing Housing Type S	1	Require item 61
231	3796201	Seal Carrier	1	
<b>Rotating parts</b>				
310	3799686	Shaft type C	1	
310	3799688	Shaft type D	1	
310	3799682	Shaft type K	1	Require flat key
310	3799684	Shaft type S	1	
310	3799690	Shaft type T	1	Require flat key
321	3724445*	Flat Key for K shaft	1	
321	3724438*	Flat Key for T shaft	1	
430	3724478***	Barrel Support	1	
452	3799822	Ring Gear	1	

**Seal kit contain:**

O-rings pos: 221, 225, 229  
Shaft seal pos: 233  
Retaining rings pos: 237, 238

**For other parts please contact Parker Hannifin**

**Seal kits**

3793495\*\* Sealing kit type V FPM

3785133\*\* Sealing kit type N NBR

**Repair Spare part Kit**

3787799 Type M (Motor)

**Bearing spare part kit**

3723973 Bearing kit

**Shim kit**

3721332 Shims kit

**Repair spare part kit contain:**

Valve plate pos: 121  
Cylinder Barrel pos: 411  
Pistons pos: 440 (7 pcs)  
Hex Screws pos: 491 (4 pcs)

**Bearing spare part kit contain:**

Tap Rol Bearing pos: 460, 470  
Spacer pos: 476  
Retaining rings pos: 478

**Shim kit contain:**

Shims pos: 488  
(1 pcs on each side)

\*Kit contain 100 pcs, \*\*\*Kit contain 20 pcs

\*\* The kit contain 1 pcs O-ring for F12-40

**F12-060 with needle bearings from serial no. 202011010001 and up.**

Pos	Part No	Description	Qty	Remarks
<b>Housing parts</b>				
61		Hex Socket Plug M12*1	1	VSTI12X1EDVITCF
110	3722721	Barrel Housing Assy Type F	1	
110	3722723	Barrel Housing Assy Type S	1	
130		Hex Socket Plug S housing	1	10 HP50N-S
130		Hex Socket Plug F housing	1	VSTI22X1.5EDVITCF
211	3780331	Bearing Housing Type C	1	Require item 61
211	3780127	Bearing Housing Type I	1	Require item 61
211	3780124	Bearing Housing Type S	1	Require item 61
231	3796201	Seal Carrier	1	
<b>Rotating parts</b>				
310	3799686	Shaft type C	1	
310	3799688	Shaft type D	1	
310	3799682	Shaft type K	1	Require flat key
310	3799684	Shaft type S	1	
310	3799690	Shaft type T	1	Require flat key
321	3724445*	Flat Key for K shaft	1	
321	3724438*	Flat Key for T shaft	1	
430	3724478***	Barrel Support	1	
452	3799822	Ring Gear	1	

**Seal kit contain:**

O-rings pos: 221, 225, 229

Shaft seal pos: 233

Retaining rings pos: 237, 238

**Repair spare part kit contain:**

Valve plate pos: 121

Cylinder Barrel pos: 411

Pistons pos: 440 (7 pcs)

Hex Screws pos: 491 (4 pcs)

**Bearing spare part kit contain:**

Tap Rol Bearing pos: 460, 470

Spacer pos: 476

Retaining rings pos: 478

**Shim kit contain:**

Shims pos: 488

(1 pcs on each side)

**For other parts please contact Parker Hannifin****Seal kits**

3793495\*\* Sealing kit type V FPM

3785133\*\* Sealing kit type N NBR

**Repair Spare part Kit**

3723104 Type M (Motor)

3723981 Type L (CCW pump)

3723982 Type R (CW pump)

**Bearing spare part kit**

3723973 Bearing kit

**Shim kit**

3721332 Shims kit

\*Kit contain 100 pcs, \*\*\*Kit contain 20 pcs

\*\* The kit contain 1 pcs O-ring for F12-40

**F12-080 all types from serial no. 1998491161 and up.**

Pos	Part No	Description	Qty	Remarks
<b>Housing parts</b>				
61		Hex Socket Plug M12*1	1	VSTI12X1EDVITCF
110	3780658	Barrel Housing Assy Type F	1	
110	3780660	Barrel Housing Assy Type S	1	
130		Hex Socket Plug S housing	1	10 HP50N-S
130		Hex Socket Plug F housing	1	VSTI22X1.5EDVITCF
211	3780327	Bearing Housing Type C	1	Require item 61
211	3780813	Bearing Housing Type I	1	Require item 61
211	3780812	Bearing Housing Type S	1	Require item 61
231	3796200	Seal Carrier	1	
<b>Rotating parts</b>				
310	3780671	Shaft type C	1	
310	3780673	Shaft type D	1	
310	3780667	Shaft type K	1	Require flat key
310	3780669	Shaft type S	1	
310	3780675	Shaft type T	1	Require flat key
310	3780677	Shaft type U	1	
321	3724448*	Flat Key for K shaft	1	
321	3724440*	Flat Key for T shaft	1	
430	3724475**	Barrel Support	1	
452	3787847	Ring Gear	1	

**Seal kit contain:**

O-rings pos: 221, 225, 229

Shaft seal pos: 233

Retaining rings pos: 237, 238

**For other parts please contact Parker Hannifin****Seal kits**

3793499 Sealing kit type V FPM

3785136 Sealing kit type N NBR

**Repair Spare part Kit**

3787800 Type M (Motor)

3723983 Type L (CCW pump)

3723984 Type R (CW pump)

**Bearing spare part kit**

3723974 Bearing kit

**Shim kit**

3721333 Shims kit

**Repair spare part kit contain:**

Valve plate pos: 121

Cylinder Barrel pos: 411

Pistons pos: 440 (7 pcs)

Hex Screws pos: 491 (4 pcs)

**Bearing spare part kit contain:**

Tap Rol Bearing pos: 460, 470

Spacer pos: 476

Retaining rings pos: 478

**Shim kit contain:**

Shims pos: 488

(1 pcs on each side)

\*Kit contain 100 pcs, \*\*Kit contain 20 pcs

Pos	Part No	Description	Qty	Remarks
<b>Housing parts</b>				
61		Hex Socket Plug M12*1	1	VSTI12X1EDVITCF
110	3780658	Barrel Housing Assy Type F	1	
110	3780660	Barrel Housing Assy Type S	1	
130		Hex Socket Plug S housing	1	10 HP50N-S
130		Hex Socket Plug F housing	1	VSTI22X1.5EDVITCF
211	3780327	Bearing Housing Type C	1	Require item 61
211	3780813	Bearing Housing Type I	1	Require item 61
211	3780812	Bearing Housing Type S	1	Require item 61
231	3796200	Seal Carrier	1	
<b>Rotating parts</b>				
310	3780671	Shaft type C	1	
310	3780673	Shaft type D	1	
310	3780667	Shaft type K	1	Require flat key
310	3780669	Shaft type S	1	
310	3780675	Shaft type T	1	Require flat key
310	3780677	Shaft type U	1	
321	3724448*	Flat Key for K shaft	1	
321	3724440*	Flat Key for T shaft	1	
430	3724475**	Barrel Support	1	
452	3787847	Ring Gear	1	

**Seal kit contain:**

O-rings pos: 221, 225, 229

Shaft seal pos: 233

Retaining rings pos: 237, 238

**For other parts please contact Parker Hannifin****Seal kits**

3793499 Sealing kit type V FPM

3785136 Sealing kit type N NBR

**Repair Spare part Kit**

3787801 Type M (Motor)

3723985 Type L (CCW pump)

3723986 Type R (CW pump)

**Bearing spare part kit**

3723974 Bearing kit

**Shim kit**

3721333 Shims kit

**Repair spare part kit contain:**

Valve plate pos: 121

Cylinder Barrel pos: 411

Pistons pos: 440 (7 pcs)

Hex Screws pos: 491 (4 pcs)

**Bearing spare part kit contain:**

Tap Rol Bearing pos: 460, 470

Spacer pos: 476

Retaining rings pos: 478

**Shim kit contain:**

Shims pos: 488

(1 pcs on each side)

\*Kit contain 100 pcs, \*\*Kit contain 20 pcs



**F12-110 from serial no. 200402010001 and up**

Pos	Part No	Description	Qty	Remarks
<b>Housing parts</b>				
61		Hex Socket Plug M12*1	1	VSTI12X1EDVITCF
110	3709914	Barrel Housing Assy Type F	1	
110	3794372	Barrel Housing Assy Type S	1	
130		Hex Socket Plug S housing	1	12 HP50N-S
130		Hex Socket Plug F housing	1	VSTI22X1.5EDVITCF
211	3781449	Bearing Housing Type C	1	Require item 61
211	3781447	Bearing Housing Type I	1	Require item 61
211	3781448	Bearing Housing Type S	1	Require item 61
231	3796182	Seal Carrier	1	
<b>Rotating parts</b>				
310	3783323	Shaft type C	1	
310	3783322	Shaft type D	1	
310	3783321	Shaft type K	1	Require flat key
310	3783320	Shaft type S	1	
310	3783324	Shaft type T	1	Require flat key
321	3724446*	Flat Key for K shaft	1	
321	3724439*	Flat Key for T shaft	1	
430	3724476**	Barrel Support	1	
452	3783319	Ring Gear	1	

**Seal kit contain:**

O-rings pos: 221, 225, 229

Shaft seal pos: 233

Retaining rings pos: 237, 238

**Repair spare part kit contain:**

Valve plate pos: 121

Cylinder Barrel pos: 411

Pistons pos: 440 (7 pcs)

Hex Screws pos: 491 (4 pcs)

**Bearing spare part kit contain:**

Tap Rol Bearing pos: 460, 470

Spacer pos: 476

Retaining rings pos: 478

**Shim kit contain:**

Shims pos: 488

(1 pcs on each side)

**For other parts please contact Parker Hannifin****Seal kits**

3798092 Sealing kit type V FPM

3785137 Sealing kit type N NBR

**Repair Spare part Kit**

3787802 Type M (Motor)

3723987 Type L (CCW pump)

3723988 Type R (CW pump)

**Bearing spare part kit**

3723975 Bearing kit

**Shim kit**

3721334 Shims kit

\*Kit contain 100 pcs, \*\*Kit contain 20 pcs

Pos	Part No	Description	Qty	Remarks
<b>Housing parts</b>				
61		Hex Socket Plug M12*1	1	VSTI12X1EDVITCF
110	3709914	Barrel Housing Assy Type F	1	
110	3794372	Barrel Housing Assy Type S	1	
130		Hex Socket Plug S housing	1	12 HP50N-S
130		Hex Socket Plug F housing	1	VSTI22X1.5EDVITCF
211	3781449	Bearing Housing Type C	1	Require item 61
211	3781447	Bearing Housing Type I	1	Require item 61
211	3781448	Bearing Housing Type S	1	Require item 61
231	3796182	Seal Carrier	1	
<b>Rotating parts</b>				
310	3783323	Shaft type C	1	
310	3783322	Shaft type D	1	
310	3783321	Shaft type K	1	Require flat key
310	3783320	Shaft type S	1	
310	3783324	Shaft type T	1	Require flat key
321	3724446*	Flat Key for K shaft	1	
321	3724439*	Flat Key for T shaft	1	
430	3724476**	Barrel Support	1	
452	3783319	Ring Gear	1	

**For other parts please contact Parker Hannifin**

#### Seal kits

3798092	Sealing kit type V FPM
3785137	Sealing kit type N NBR

#### Repair Spare part Kit

3787803	Type M (Motor)
3723989	Type L (CCW pump)
3723990	Type R (CW pump)

#### Bearing spare part kit

3723975	Bearing kit
---------	-------------

#### Shim kit

3721334	Shims kit
---------	-----------

#### Seal kit contain:

O-rings pos: 221, 225, 229  
 Shaft seal pos: 233  
 Retaining rings pos: 237, 238

#### Repair spare part kit contain:

Valve plate pos: 121  
 Cylinder Barrel pos: 411  
 Pistons pos: 440 (7 pcs)  
 Hex Screws pos: 491 (4 pcs)

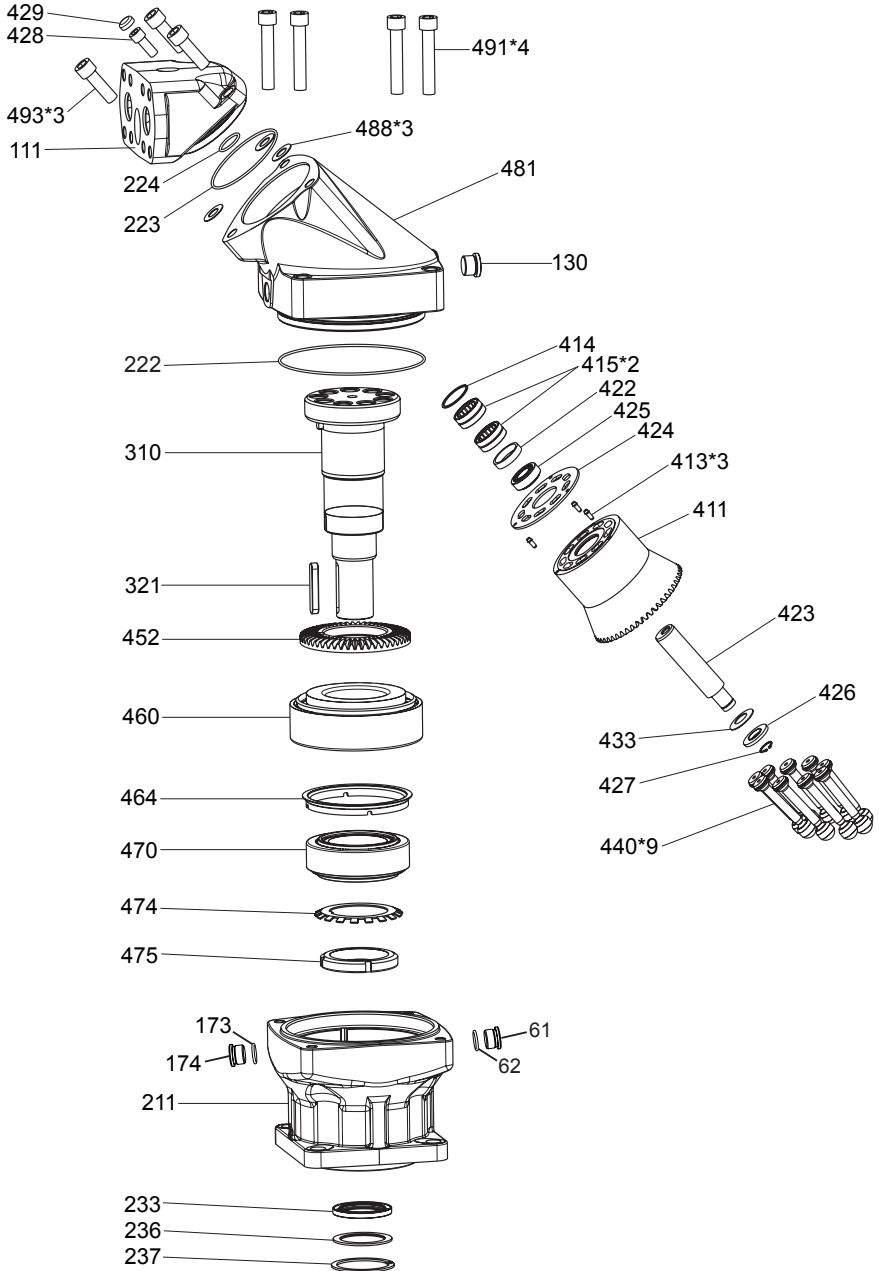
#### Bearing spare part kit contain:

Tap Rol Bearing pos: 460, 470  
 Spacer pos: 476  
 Retaining rings pos: 478

#### Shim kit contain:

Shims pos: 488  
 (1 pcs on each side)

\*Kit contain 100 pcs, \*\*Kit contain 20 pcs



Pos	Part No	Description	Qty	Remarks
<b>Housing parts</b>				
61		Hex Socket Plug M12*1	1	VSTI12X1EDVITCF
111	3795856	End Cap QF Motor	1	
130		Hex Socket Plug	1	VSTI3/4EDVITCF
174		Hex Socket Plug	1	VSTI12X1EDVITCF
211	3787080	Bearing Housing Type S	1	Require item 130 174 251
251		Hex Socket Plug	1	4 HP5ON-S
481	3788726	Barrel housing	1	Require item 61
<b>Rotating parts</b>				
310	3788751	Shaft type K	1	Require flat key
310	3789501	Shaft type F	1	
310	3788839	Shaft type S	1	
321	3724446*	Flat Key for K shaft	1	
452	3787126	Ring Gear	1	

**For other parts please contact Parker Hannifin**

**Seal kits**

3797126 Sealing kit type V FPM

**Repair Spare part Kit**

3723738 REPAIR SPARE KIT F12-250

**Bearing spare part kit**

3723976 Bearing kit

**Shim kit**

3721336 Shims kit

**Seal kit contain:**

O-rings pos: 222, 223, 224

Shaft seal pos: 233

Back up ring pos: 236

Retaining rings pos: 237

Hex Screw pos: 428, 429

**Repair spare part kit contain pos:**

411,413, 414, 415, 422,423,

424, 425, 426, 427, 428, 429,

433, 440, 491, 493

**Bearing spare part kit contain:**

Tap Rol Bearing pos: 460, 470

Spacer ring pos: 464

Lock washer pos: 474

Round nut pos: 475

**Shim kit contain:**

Shims pos: 488

(1 pcs on each side)

\*Kit contain 100 pcs

---

## Notes

A series of horizontal dotted lines for taking notes, filling most of the page below the 'Notes' header.

---

## Notes

A series of horizontal dotted lines for taking notes, spanning the width of the page.

---

## Notes

A series of horizontal dotted lines for taking notes, spanning the width of the page.

## Declaration

---

### Position notification regarding Machinery Directive 2006/42/EC:

Products made by the Pump & Motor Division Europe (PMDE) of Parker Hannifin are excluded from the scope of the machinery directive following the “Cetop” Position Paper on the implementation of the Machinery Directive 2006/42/EC in the Fluid Power Industry.

All PMDE products are designed and manufactured considering the basic as well as the proven safety principles according to:

- ISO 13849-1:2015
- SS-EN ISO 4413:2010

so that the machines in which the products are incorporated meet the essential health and safety requirements.

Confirmations for components to be proven component, e. g. for validation of hydraulic systems, can only be provided after an analysis of the specific application, as the fact to be a proven component mainly depends on the specific application.

#### Dr. Hans Haas

General Manger

Pump & Motor Division Europe



### WARNING – USER RESPONSIBILITY

FAILURE OR IMPROPER SELECTION OR IMPROPER USE OF THE PRODUCTS DESCRIBED HEREIN OR RELATED ITEMS CAN CAUSE DEATH, PERSONAL INJURY AND PROPERTY DAMAGE.

This document and other information from Parker-Hannifin Corporation, its subsidiaries and authorized distributors provide product or system options for further investigation by users having technical expertise.

The user, through its own analysis and testing, is solely responsible for making the final selection of the system and components and assuring that all performance, endurance, maintenance, safety and warning requirements of the application are met. The user must analyze all aspects of the application, follow applicable industry standards, and follow the information concerning the product in the current product catalogue and in any other materials provided from Parker or its subsidiaries or authorized distributors.

To the extent that Parker or its subsidiaries or authorized distributors provide component or system options based upon data or specifications provided by the user, the user is responsible for determining that such data and specifications are suitable and sufficient for all applications and reasonably foreseeable uses of the components or systems.

### Offer of Sale

Please contact your Parker representation for a detailed "Offer of Sale".



#### Parker Hannifin Manufacturing Sweden AB

Pump & Motor Division Europe

Flygmotorvägen 2

461 82 Trollhättan

Sweden

Tel. +46 (0)520 40 45 00

[www.parker.com/pmde](http://www.parker.com/pmde)

MSG30-5513-M1/UK

© Copyright 2021

All rights reserved