

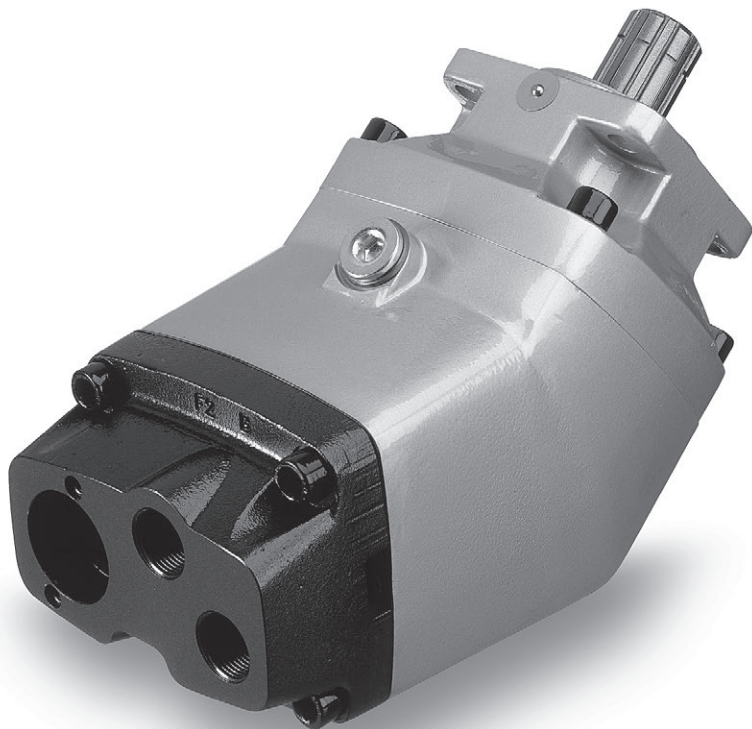


Visit our homepage
for additional support
parker.com/pmde

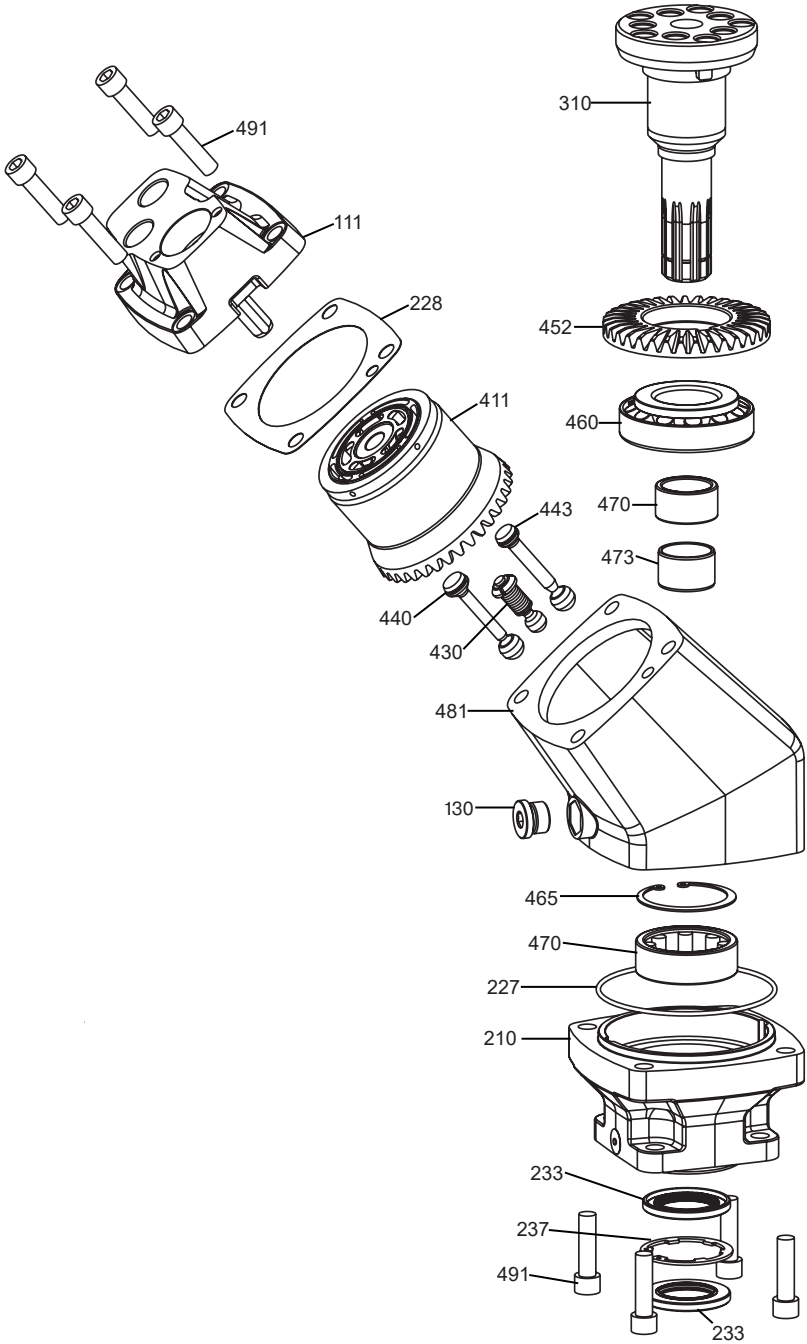
MSG30-5521-M1/UK

Spare Parts Series F2

Effective: July 01, 2021
Supersedes: August, 2017



ENGINEERING YOUR SUCCESS.



Pos	Part No.	Description	Qty.	Remarks
111		End Cap	1	End Cap Assy
130		Hex Socket Plug	1	No Spare Part, Hex Socket Plug G1/2
210		Bearing Housing	1	No Spare Part
227		O-ring	1	Seal Kit, O-ring 124*2,5
228		Gasket	1	Seal Kit
233		Shaft Seal	1	Seal Kit
237		Protective Washer	1	Seal Kit
310		Shaft	1	No Spare Part
411		Cylinder Barrel	1	Spare Part Kit
430		Barrel Support	1	No Spare Part
440		Piston	1	Spare Part Kit
443		Piston	1	Spare Part Kit
452		Ring Gear	1	No Spare Part
460		Tapered Roller Bearing	1	No Spare Part
465		Retaining Ring	1	No Spare Part
470		Roller Bearing	1	No Spare Part
473		Inner Ring	1	Spare Part Kit
481		Barrel housing	1	No Spare Part
491		Hex Socket Screw	8	Incl. in End Cap assy and Spare Part Kit, Hex Socket Screw M12*45 10.9

End Cap assy

Included in End Cap assy is pos no. 491 and no. 111.

Part No.	Qty	Remarks
3787580	1	R-rotation, 70/70
3787581	1	L-rotation, 70/70
3781442	1	R-rotation, 70/35
3781444	1	L-rotation, 70/35
3781445	1	L-rotation, 53/53
3781446	1	R-rotation, 53/53
3785971	1	R-rotation, 42/42
3785972	1	L-rotation, 42/42
3785968	1	R-rotation, 55/28
3785969	1	L-rotation, 55/28

Spare Parts Kit

The Spare Parts Kits comprise items
111, 227, 228, 233, 411, 440, 443, 473, 491

To fit	Part No.	Serial No.
F2-042/042-R	3785976	
F2-042/042-L	3785977	
F2-055/028-R	3785974	
F2-055/028-L	3785975	
F2-053/053-R	3781569	2000070001
F2-053/053-L	3781568	2000070001
F2-070/035-R	3781570	2000070001
F2-070/035-L	3781571	2000070001
F2-070/070-R	3786350	
F2-070/070-L	3786351	

Seal Kit

To fit	Part No.	Serial No.
F2-all sizes	3783307	Incl. Pos 227, 228, 233, 237

If more parts are required it is normally not profitable to carry out a repair.

Declaration

Position notification regarding Machinery Directive 2006/42/EC:

Products made by the Pump & Motor Division Europe (PMDE) of Parker Hannifin are excluded from the scope of the machinery directive following the "Cetop" Position Paper on the implementation of the Machinery Directive 2006/42/EC in the Fluid Power Industry.

All PMDE products are designed and manufactured considering the basic as well as the proven safety principles according to:

- ISO 13849-1:2015
- SS-EN ISO 4413:2010

so that the machines in which the products are incorporated meet the essential health and safety requirements.

Confirmations for components to be proven component, e.g. for validation of hydraulic systems, can only be provided after an analysis of the specific application, as the fact to be a proven component mainly depends on the specific application.

Dr. Hans Haas

General Manger

Pump & Motor Division Europe



WARNING – USER RESPONSIBILITY

FAILURE OR IMPROPER SELECTION OR IMPROPER USE OF THE PRODUCTS DESCRIBED HEREIN OR RELATED ITEMS CAN CAUSE DEATH, PERSONAL INJURY AND PROPERTY DAMAGE.

This document and other information from Parker-Hannifin Corporation, its subsidiaries and authorized distributors provide product or system options for further investigation by users having technical expertise.

The user, through its own analysis and testing, is solely responsible for making the final selection of the system and components and assuring that all performance, endurance, maintenance, safety and warning requirements of the application are met. The user must analyze all aspects of the application, follow applicable industry standards, and follow the information concerning the product in the current product catalogue and in any other materials provided from Parker or its subsidiaries or authorized distributors.

To the extent that Parker or its subsidiaries or authorized distributors provide component or system options based upon data or specifications provided by the user, the user is responsible for determining that such data and specifications are suitable and sufficient for all applications and reasonably foreseeable uses of the components or systems.

Offer of Sale

Please contact your Parker representation for a detailed "Offer of Sale".



Parker Hannifin Manufacturing Sweden AB

Pump & Motor Division Europe

Flygmotorvägen 2

461 82 Trollhättan

Sweden

Tel. +46 (0)520 40 45 00

www.parker.com/pmde

MSG30-5521-M1/UK

© Copyright 2021

All rights reserved